



High output LED pole top area light with IES type V square distribution. Wide and uniform 360 degree pattern ideal for large outdoor areas such as parking lots, corporate parks, and retail settings.

Color: Bronze

Weight: 41.1 lbs

<b>Project:</b>	<b>Type:</b>
<b>Prepared By:</b>	<b>Date:</b>

Driver Info		LED Info	
Type	Constant Current	Watts	78W
120V	0.56A	Color Temp	5000K (Cool)
208V	0.34A	Color Accuracy	73 CRI
240V	0.33A	L70 Lifespan	100,000 Hours
277V	0.26A	Lumens	9,578 lm
Input Watts	65.4W	Efficacy	146.5 lm/W

## Technical Specifications

### Compliance

#### UL Listed:

Suitable for wet locations

#### IESNA LM-79 & LM-80 Testing:

RAB LED luminaires and LED components have been tested by an independent laboratory in accordance with IESNA LM-79 and LM-80.

#### DLC Listed:

This product is listed by Design Lights Consortium (DLC) as an ultra-efficient premium product that qualifies for the highest tier of rebates from DLC Member Utilities. Designed to meet DLC 5.1 requirements.

DLC Product Code: PU7BQF7A

### LED Characteristics

#### LEDs:

Long-life, high-efficacy, surface-mount LEDs

#### Color Consistency:

7-step MacAdam Ellipse binning to achieve consistent fixture-to-fixture color

#### Color Stability:

LED color temperature is warranted to shift no more than 200K in color temperature over a 5-year period

#### Color Uniformity:

RAB's range of Correlated Color Temperature follows the guidelines of the American National Standard for Specifications for the Chromaticity of Solid State Lighting (SSL) Products, ANSI C78.377-2017.

### Performance

#### Lifespan:

100,000-Hour LED lifespan based on IES LM-80 results and TM-21 calculations

#### Wattage Equivalency:

Equivalent to 250W Metal Halide

### Optical

#### BUG Rating:

B3 U1 G2

#### Optics:

Square, Type V distribution

### Construction

#### Cold Weather Starting:

The minimum starting temperature is -40°C (-40°F)

#### Maximum Ambient Temperature:

Suitable for use in up to 40°C (104°F)

#### Thermal Management:

Superior thermal management with external air-flow fins

#### Effective Projected Area:

EPA = 0.7

#### Support Arms:

Extruded aluminum

#### Lens:

Clear polycarbonate lens

#### Reflector:

Vacuum-metalized polycarbonate

#### Gaskets:

High-temperature silicone

#### Mounting:

Tenon for 2 3/8" or 3" OD post or pole-top adaptor

#### Finish:

Formulated for high durability and long-lasting color

#### Green Technology:

Mercury and UV free. RoHS-compliant components.

## Technical Specifications (continued)

### Electrical

---

**Driver:**

Constant Current, Class 2 with 4kV surge protection,  
120-277VAC, 50/60 Hz, 120V: 0.56A, 208V: 0.34A,  
240V: 0.33A, 277V: 0.26A

**THD:**

5.78% at 120V, 9.27% at 277V

**Power Factor:**

99.5% at 120V, 91.6% at 277V

**ALED5S78 with Dimmable Drive:**

Driver includes dimming control for 0-10V dimming systems. Requires separate 0-10V DC dimming circuit. Dims down to 10%.

### Other

---

**Patents:**

The designs of the ALED5S are protected by patents pending in US, Canada, China, Taiwan and Mexico

**Replacement:**

Replaces 150 Watt Pulse MH / 250 Watt Probe Metal Halide

**Warranty:**

RAB warrants that our LED products will be free from defects in materials and workmanship for a period of five (5) years from the date of delivery to the end user, including coverage of light output, color stability, driver performance and fixture finish. RAB's warranty is subject to all terms and conditions found at [rablighting.com/warranty](http://rablighting.com/warranty).

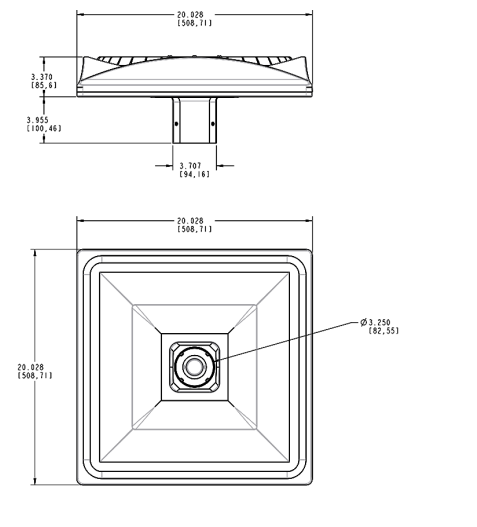
**FTC Country of Origin:**

This product was assembled in the USA by RAB using imported components

**Buy American Act Compliance:**

This product complies with the Buy American Act

## Dimensions



## Features

- Precision optics deliver uniform, optimal light distribution
- Perfect for parking lots and pathways
- 100,000-Hour LED lifespan

## Ordering Matrix

Family	Wattage	Color Temp	Finish	Driver Options	Sensor Options	Other Options
ALED5S	78			/D10		USA
	150 = 150W 78 = 78W	Blank = 5000K Cool N = 4000K Neutral Y = 3000K Warm	Blank = Bronze W = White	/D10 = 120-277V, 0-10V Dimming /480/D10 = 480V, 0-10V Dimming /BL = Bi-Level	Blank = No Option /7PR/WS2 = 7-Pin Receptacle w/Motion Sensor /7PR = 7-Pin Receptacle /5PR = 5 Pin Receptacle /LC = Lightcloud Controller /WS2 = Motion Sensor/Photocell /PCT4 = 480V Twistlock Photocell /PCT = 120-277V Twistlock Photocell	Blank = Standard USA = BAA Compliant